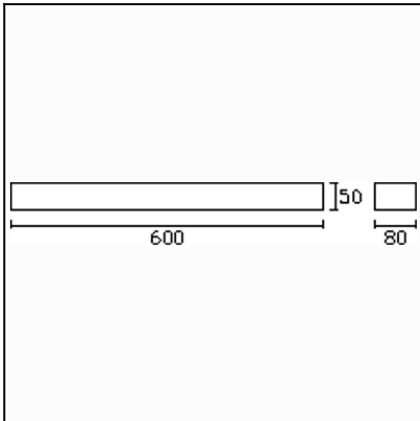


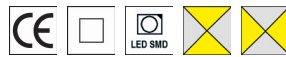


The photograph may not match the reference exactly. Please read the product description to identify the finish.



### TECHNICAL CHARACTERISTICS

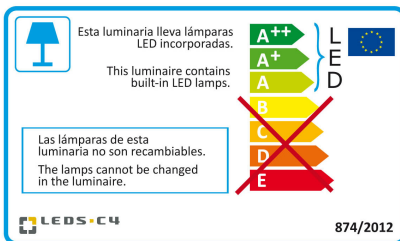
Type:	Wall fixture
IP Protection degrees:	IP20
Light source 1:	36 x LED LED 10.5W Warm White - 3000K 1070 lm <sup>(N)</sup> CRI 80
Voltage / Frequency:	100-240V/50-60Hz
Warranty (Years):	2
Option to extend the guarantee:	Yes, 5 years
Units per box:	6
Net Weight (Kg):	1.37
EAN:	8435381410612



### MATERIALS / FINISHES

<b>Structure material:</b>	Steel	<b>Diffuser material:</b>	Polycarbonate
<b>Structure finish:</b>	Chrome	<b>Diffuser finish:</b>	Matt opal

Download photometric file .ldt / .ies



Click on image to download energy label

### GEAR

Multi-voltage electronic gear included (110-240 V / 50-60 Hz)

Lm<sup>(N)</sup>: Nominal flow of light in actual working conditions. Its actual flow will depend on the environmental conditions and the efficiency of the optics and/or diffuser.

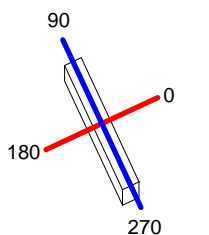
Leds-c4 reserves the right to make the necessary technical changes they deem adequate, in order to improve the features of the product.  
Please consult the sales team to clarify any doubt.

(+34) 973 468 100  
leds-c4@leds-c4.com  
www.leds-c4.com

<b>Luminaire</b>		<b>Measur.</b>		<b>Lamp</b>	
Code	05-2705	Code	05-2705	Code	LED
Name	LED RECESSED LIGHT	Name	LED RECESSED LIGHT	Number	1
Line	LIA LED	Date	16-04-2014	Position	
Efficiency	58.47%	Coordinate system	CG	Total Flux	875.00 lm
Maximum value	195.01 cd	Position	C=180.00 G=139.00	Asymmetrical	
Flush Rectangular Rectangular Luminous Area	Length Length	600 mm 600 mm	Width Width	80 mm 80 mm	Height Height
Horizontal Luminous Area Emitting area on Plane 0° Emitting area on Plane 90°	0.048000 m2 0.030000 m2 0.004000 m2	Emitting area on Plane 180° Emitting area on Plane 270° Glare area at 76°		0.030000 m2 0.004000 m2 0.040721 m2	
Symmetry Type Measurement Distance	Asymmetrical 0.00	Maximum Gamma Angle Measurement Flux		180 875.00 lm	
Operator Temperature Humidity Notes	25.00 °C 60.00 %	Source voltage Source current Photocell			

Luminaire Lamps						
Line	Code	Name	Flux [lm]	Pow. [W]	Q.ty	
IESNA-1995	LED	05-2705 - 11.70 W	875.00	11.70	1	
C.I.E. F UTE	12 43 76 42 58 --	D DIN 5040 B NBN	C12 BZ 10 / 1.5 / BZ 9			

600mm x 80mm



**C Halfplanes**

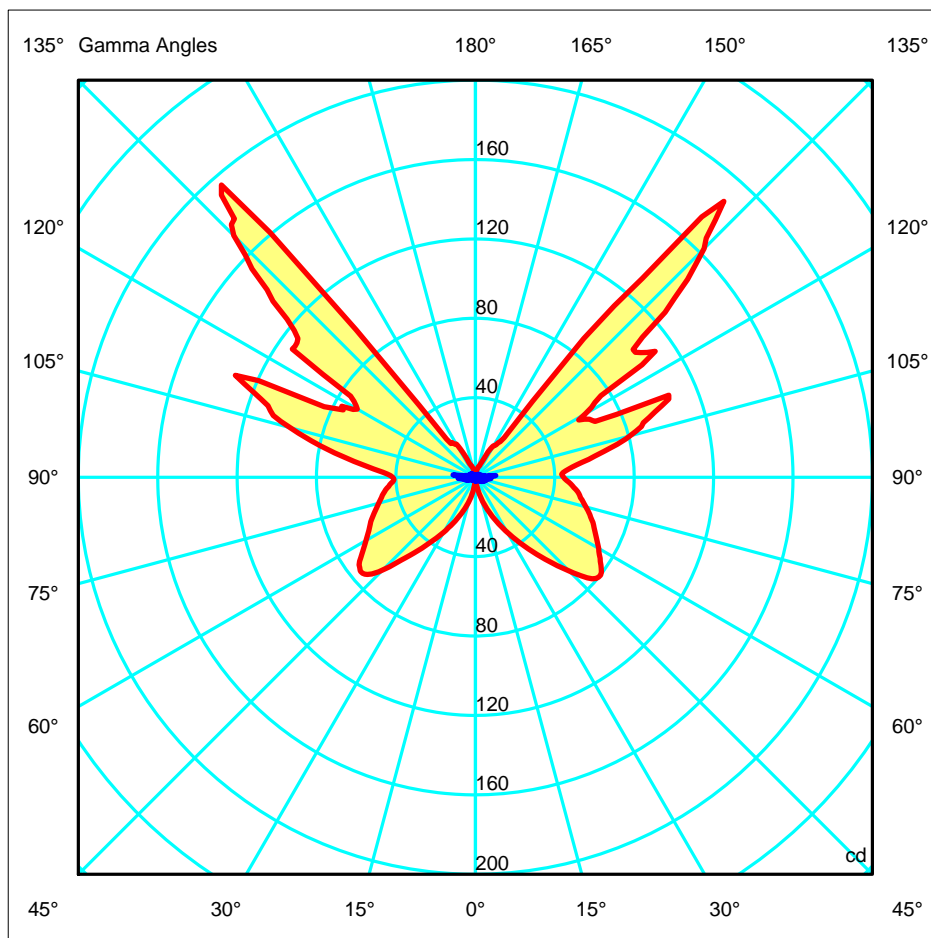
180.0 — 0.0

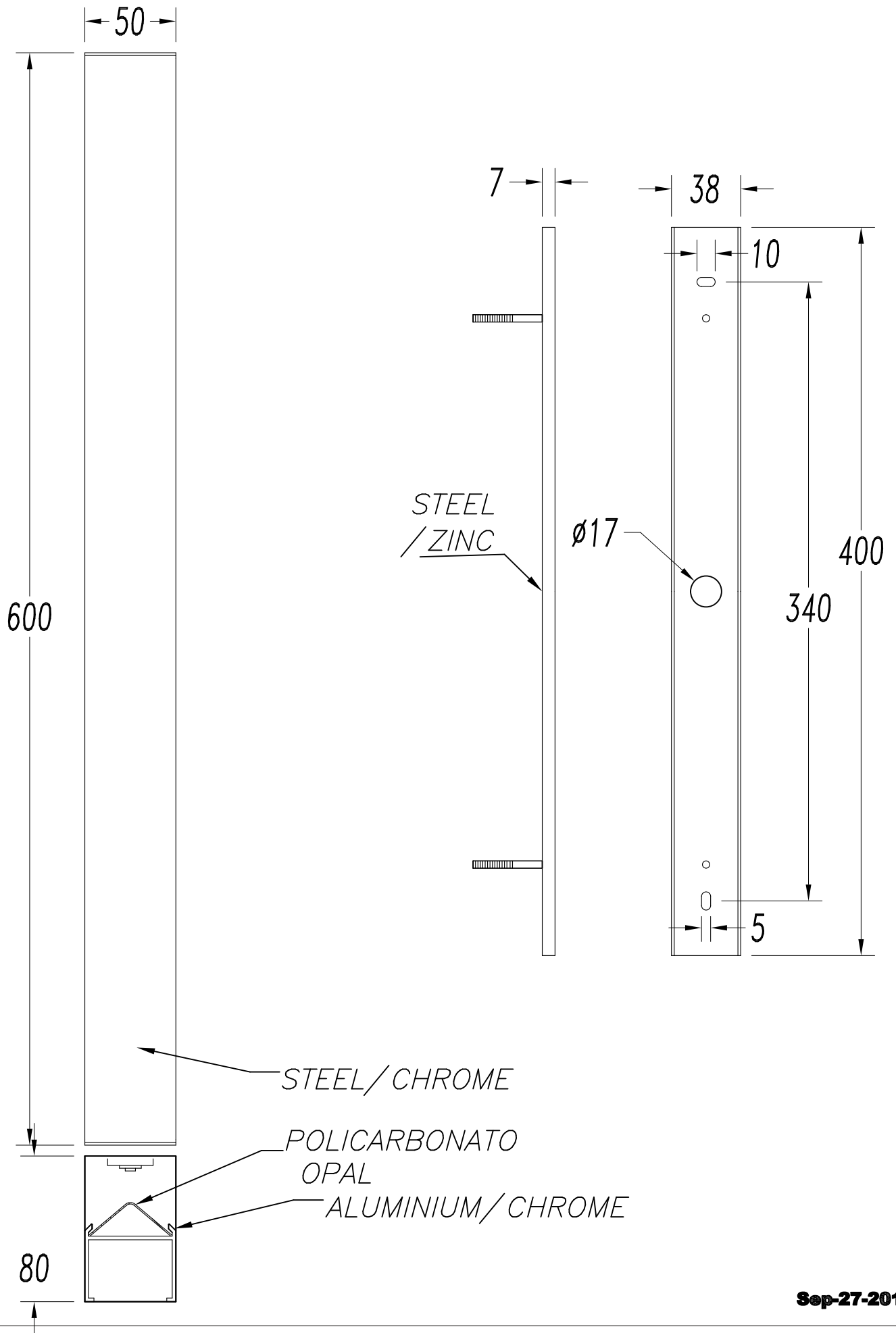
270.0 — 90.0

ULOR      33.95 %

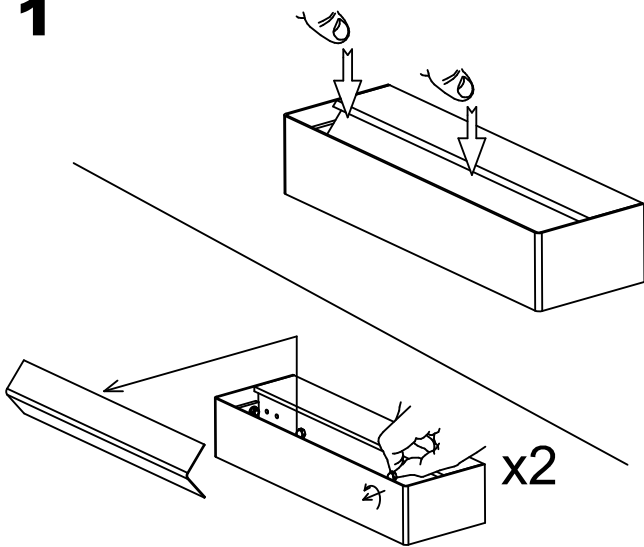
DLOR      24.52 %

RN         58.06 %

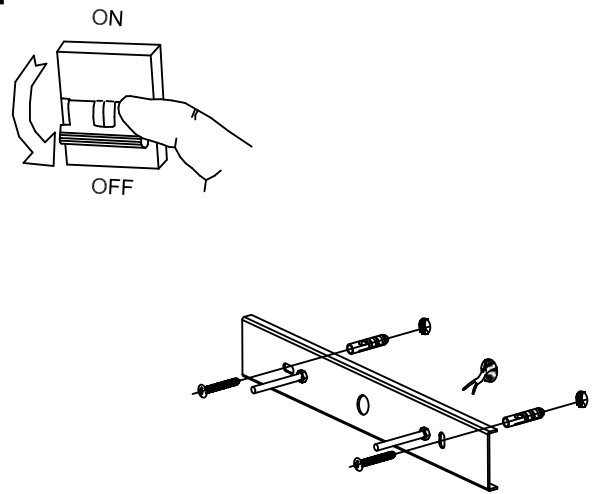




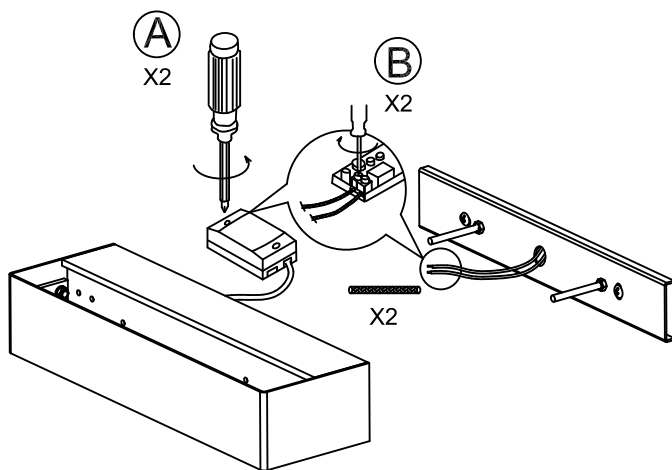
1



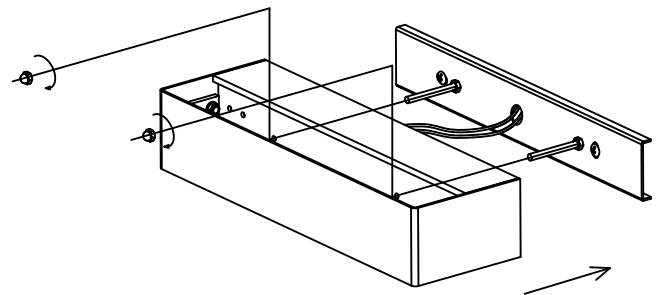
2



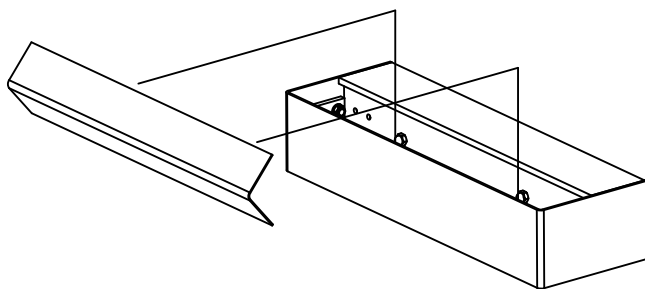
3



4



5



6

